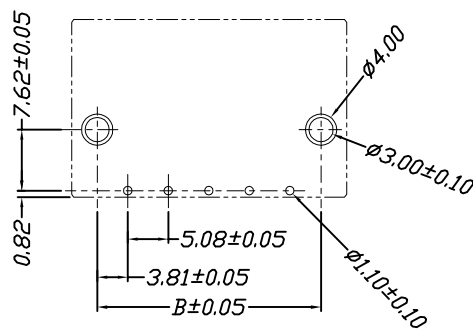
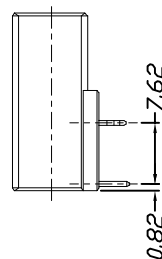
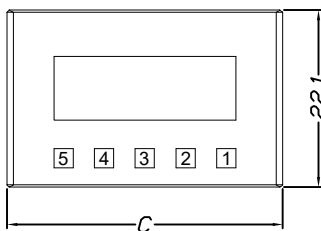
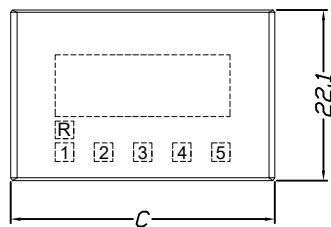
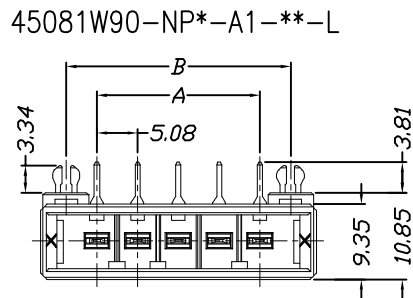
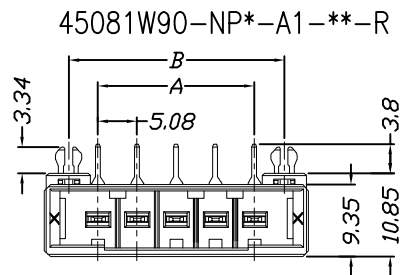


环保物料

Specifications:

Voltage Rating : 250V AC/DC
 Current Rating : 8A AC,DC
 Withstand Voltage : 1500V AC/minute
 Contact Resistance : 15mΩ(MAX.)
 Insulation Resistance : 1000V DC/1000MΩ(MIN.)
 Temperature Range : -55°C~+105°C



P.C.B. LAYOUT

Part No.	Dimensions		
	A	B	C
2P	5.08	12.70	19.08
3P	10.16	17.78	24.16
4P	15.24	22.86	29.24
5P	20.32	27.94	34.32
6P	25.40	33.02	39.40

Material	Color	PIN Material	Stator Material
NYLON&PBT,UL94V-0	Black	Brass/Tin-plated	Brass/Tin-plated

REV.	REVISION RECORD	DATE	UNIT: MM	SIZE: A4	GENERAL TOLERANCES		SCALE: 1:1	NAME	DATE
					LINEAR	ANGLES			
AO	新图面发行	2018. 7. 28	MM	A4	0.00±0.25	X° ±3°	APPROVED		
					0.00±0.15	X° X'±2°	DESIGNER		
							DRAWN	肖坤权	2018. 7. 28



TITLE: 5.08mm pitch Single Wafer

PART NO:	45081W90-NP*-A1-**-*	
DWG. NO:	ENDE05	
REV:	AO	SHEET: 1/1