

环保物料

Specifications:

Voltage Rating : 250V AC/DC

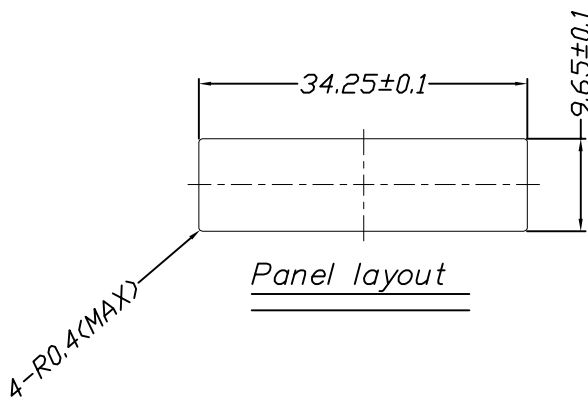
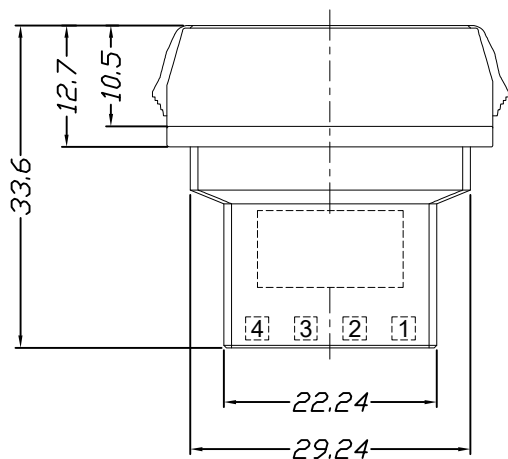
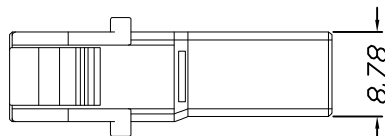
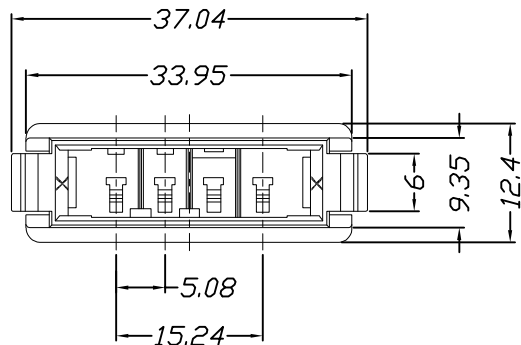
Current Rating : 8A AC,DC

Withstand Voltage : 1500V AC/minute

Contact Resistance : 15mΩ(MAX.)

Insulation Resistance : 100MΩ(MIN.)

Temperature Range : -55°C~+105°C



Panel layout

				GENERAL TOLERANCES		SCALE: 1:1	NAME	DATE
				LINEAR	ANGLES			
AO	新图面发行	2017.06.16		UNIT: MM	0.00±0.15	X° ±3°	DESIGNER	肖坤权
REV.	REVISION RECORD	DATE	SIZE: A4	0.000±0.08	X° X'±2°	DRAWN	旷淇	2017.06.16

Material		Color	
PBT,UL94V-0		Gray	
<b>康导新能源</b> 网址: www.dgoonne.com 电话: 0769-85377633 邮箱: 2850175988@qq.com 传真: 0769-853922827		PART. NO: <b>35081H02-4P*-PT</b>	
		DWG. NO: ENDE05	
REV:	AO	SHEET:	1/1