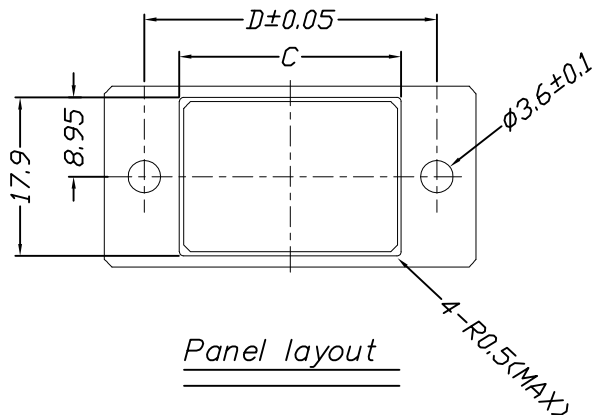
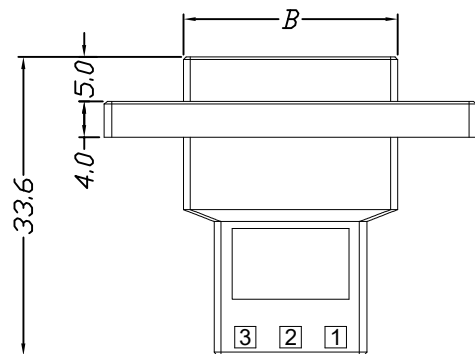
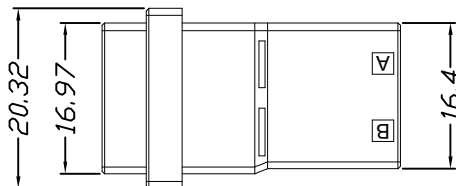
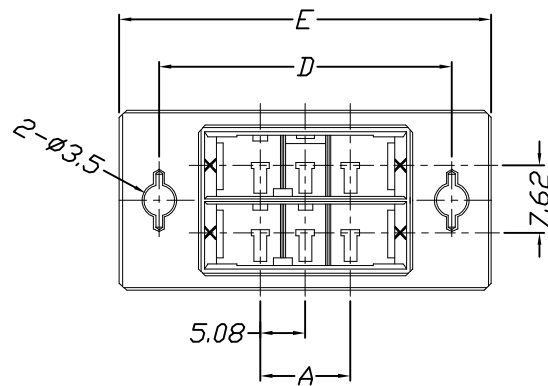


环保物料

Specifications:

Voltage Rating : 250V AC/DC
 Current Rating : 8A AC,DC
 Withstand Voltage : 1500V AC/minute
 Contact Resistance : 15mΩ(MAX.)
 Insulation Resistance : 1000V DC/1000MΩ(MIN.)
 Temperature Range : -55°C~+105°C



Panel layout

Part No.	Dimensions				
	A	B	C	D	E
2*3P	10.16	24.16	25.00	33.00	41.91
2*6P	25.40	39.40	41.00	49.00	57.91
2*10P	45.72	59.72	61.00	70.00	78.23
Material			Color		
PBT,UL94V-0			Black		

REV.	REVISION RECORD	DATE	UNIT: MM	GENERAL TOLERANCES		SCALE: 1:1	NAME	DATE	康导新能源	PART. NO: 35082H01-NP*-PT
				LINEAR	ANGLES					
AO	新图面发行	2018. 7. 28	MM	0.00±0.25	X° ±3°	APPROVED			康导新能源	DWG. NO: ENDE05
REV.	REVISION RECORD	DATE	SIZE: A4	0.000±0.15	X° X'±2°	DRAWN	肖坤权	2018. 7. 28	康导新能源 网址: www.dgconne.com 电话: 0769-85337633 邮箱: 2850175986@qq.com 传真: 0769-85392827	REV: AO SHEET: 1/1



康导新能源

网址: www.dgconne.com 电话: 0769-85337633
 邮箱: 2850175986@qq.com 传真: 0769-85392827

TITLE:
5.08mm pitch Dual Housing