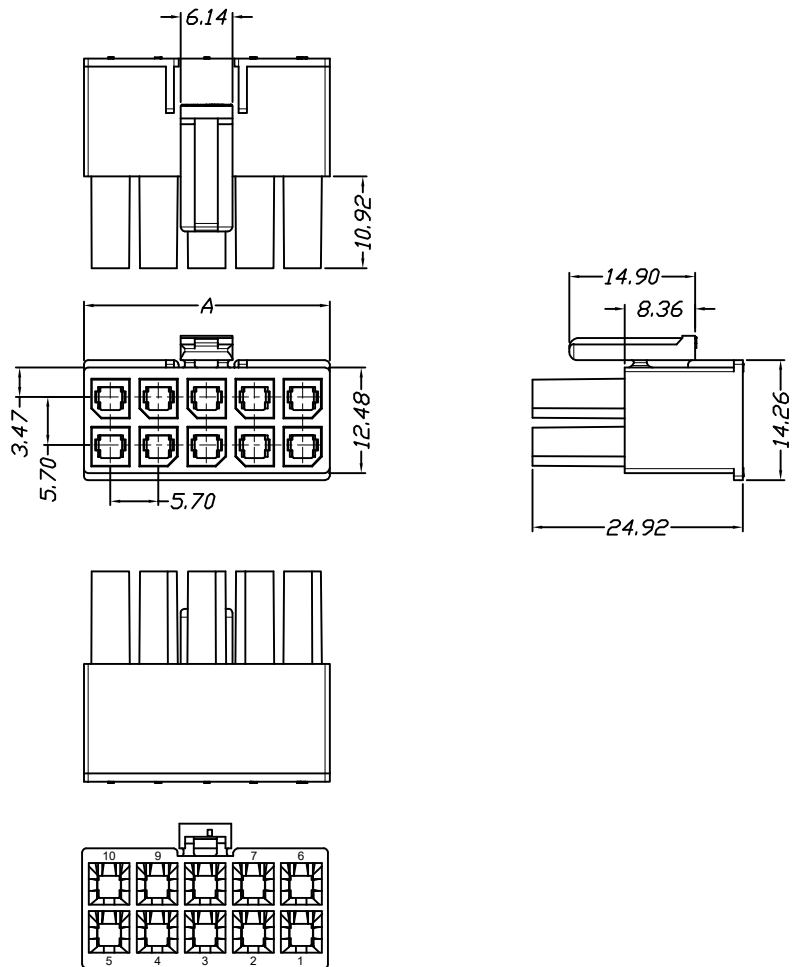


环保物料



Specifications:
 Voltage Rating : 600V AC/DC
 Current Rating : 10A AC,DC
 Withstand Voltage : 2200V AC/minute
 Contact Resistance : 10mΩ(MAX.)
 Insulation Resistance : 1000MΩ(MIN.)
 Temperature Range : -40°C~+120°C

Unit: mm

Part No.	Dimensions
	A
2*1P	8.35
2*2P	12.05
2*3P	17.75
2*4P	23.45±0.4
2*5P	29.15±0.4
2*6P	34.85±0.4

Material	Color
PBT,UL94V-0	Gray

		GENERAL TOLERANCES		SCALE:	NAME	DATE	康导新能源 网址: www.dgonne.com 电话: 0769-85377633 邮箱: 2850175986@qq.com 传真: 0769-853922827	PART. NO:		
		LINEAR	ANGLES	1:1	APPROVED	黎腾		2017. 06. 16	45701H00-2XNP*-PT	
		0.0±0.25	X° REF±6°		DESIGNER	肖坤权		2017. 06. 16	DWG. NO:	
AO	新图面发行	2017. 06. 16	UNIT: MM	0.00±0.15	X° ±3°				ENDE05	
REV.	REVISION RECORD	DATE	SIZE: A4	0.000±0.08	X° X'±2°	DRAWN	旷淇	2017. 06. 16	TITLE:	
									5.70mm pitch Dual Housing	
								REV:	AO	SHEET: 1/1